



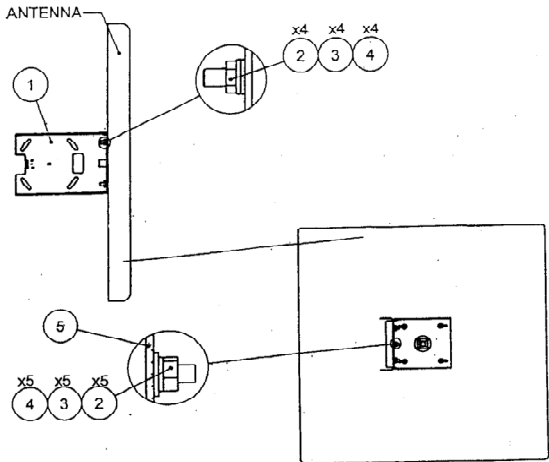
Installation Instructions P5828 Patch Antenna

Publication 030404

When correctly installed and operated the P5828 antenna will give you many years of trouble-free service.

Step 1

Attach the "L" bracket to the back of the antenna, using items 2, 3 & 4 as shown.

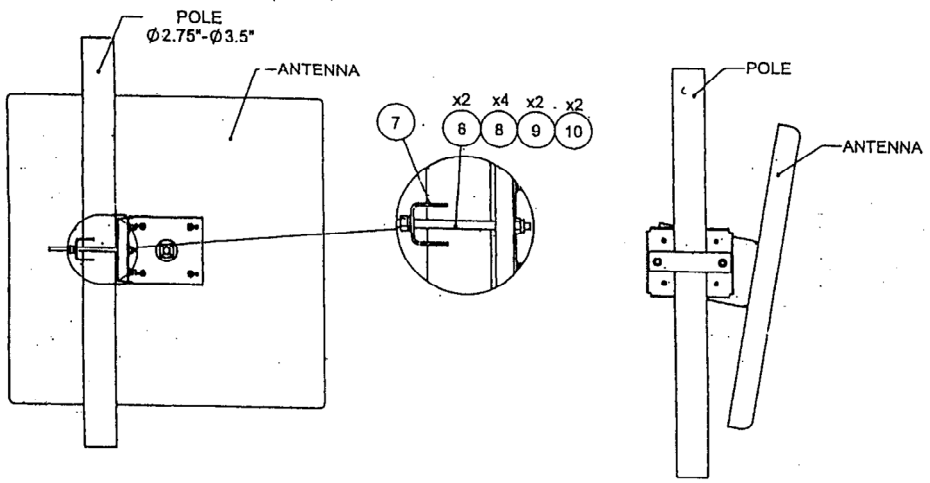


Installation Kit

ITEM	DESCRIPTION
1	Elevation bracket
2	1/4 inch flat washer
3	1/4 inch spring washer
4	1/4 inch nut
5	Pole bracket mechanical assembly
6	Hex bolt M8 x 150mm
7	U-bracket
8	Flat M8 washer
9	Spring washer
10	M8 hex nut

Step 2

Attach the grooved bracket to the "L" bracket using items 5, 2, 3, & 4 as shown. Do not fasten the screws.



Step 3

Tighten the antenna to the pole, using items 7, 6, 8, 9 & 10 as shown. Adjust the required tilt using the angular scale. Fasten all screws and nuts at the desired position.

Pacific Satellite Pty Ltd
12 George Road, PO Box 100
Salamander Bay, NSW 2317
AUSTRALIA



National Sales: 1800 001 081
Phone: 61 2 4982 0855
Fax: 61 2 4982 0566
www.pacsat.com.au
sales@pacsat.com.au