



Installation Instructions GO903 2.4GHz 24dBi Grid Antenna

Publication 150403

Thank you for buying a PacSat antenna. This product is the result of more than 10 years microwave experience, ongoing research and development. When correctly installed and operated, it will give you many years of trouble-free service. This antenna has been fully tested before it left our factory.

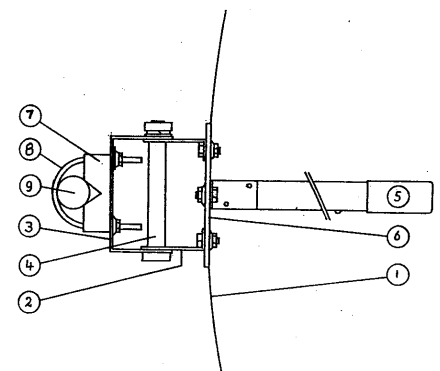
Polarisation

- The antenna can be installed either vertically or horizontally polarised.
- In both polarisations the Feed Assembly should be attached so that the direction of the "VERT" arrow is parallel with the grids of the Reflector.
- The polarisation can be changed by changing the position of the *side brackets* relative to the *centre plate* of the reflector (rotating the antenna through 90°).
- If the "VERT" arrow is pointing up the antenna is vertically polarised. If the "HOR" arrow is pointing up it is horizontally polarised.

Assembly of Antenna

See diagram at right for a vertically polarised antenna

1. Attach both *side brackets* (2) to the back of the *reflector plate*, using 2 bolts on each bracket (nuts inside the reflector). Hand-tighten the 4 nuts.
2. Pass the coax pigtail of the feed assembly through the hole at the reflector centre and attach the feed to the reflector using the two bolts and flange nuts (nuts at the back of the reflector).
3. Attach the antenna *mounting brackets* (3) to the *side brackets*, using the 12.7mm bolt, washers and nuts supplied. The *mounting bracket* fits over the side brackets. The aluminium *spacer* (4) fits inside the *side brackets*. The spacer is essential for mechanical performance.
4. Securely tighten the four nuts that attach the *side brackets* that were previously hand-tightened in step 1.



| LEGEND | QTY. |
|--------------------|------|
| 1 Reflector | 1 |
| 2 Side bracket | 2 |
| 3 Mounting bracket | 1 |
| 4 Spacer | 1 |
| 5 Feed assembly | 1 |
| 6 Centre plate | 1 |
| 7 V block | 2 |
| 8 V bolt | 2 |
| 9 Mast | |

Reflector long axis
shown not to scale.

Attachment and Alignment

5. Attach the assembled antenna to the mast or tower, using both *V-blocks* and *U-bolts* supplied. Fit washers to the *U-bolt* legs. The *V-blocks* should sit against the *mounting bracket* as shown.
6. Connect the coax feed pigtail to a suitable measuring device and aim the antenna in azimuth and elevation for best signal.
7. Tighten the *U-bolts* nuts and the 12.7MM nut to lock the adjustments. Check all other nuts and bolts are secure.

Pacific Satellite Pty Ltd
12 George Road, PO Box 100
Salamander Bay, NSW 2317
AUSTRALIA

antennas that go the distance



National Sales: 1800 001 081
Phone: 61 2 4982 0855
Fax: 61 2 4982 0566
www.pacsat.com.au
sales@pacsat.com.au